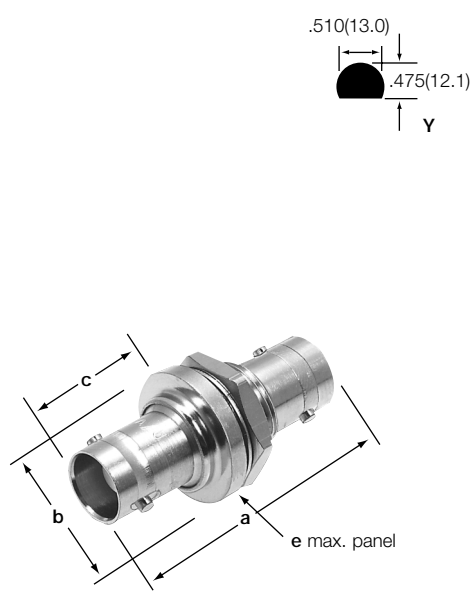
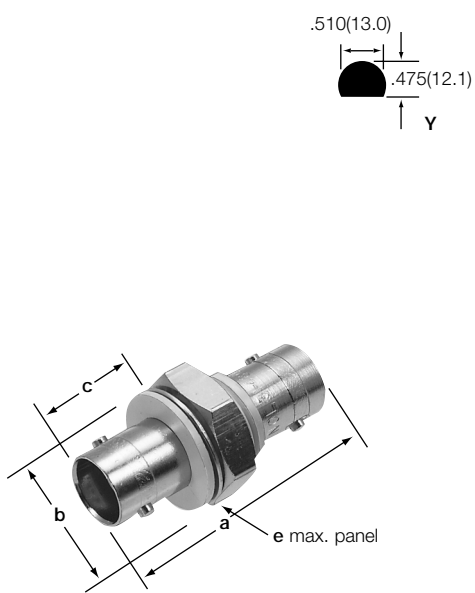


<p>Fig. 1</p>  <p style="text-align: center;">BNC Bulkhead Adapters - Jack/Jack  <b>4525</b>  <b>31-220G-RFX</b>  <b>31-220H</b>  <b>31-220N</b>  <b>31-220N-RFX</b>  <b>31-3220</b></p>	<p>Fig. 2</p>  <p style="text-align: center;">BNC Isolated Bulkhead Adapters          Jack-Jack  <b>31-4803</b>  <b>31-4803-1101</b>  <b>31-4803-RFX</b></p>
---	--

BNC

## BNC BULKHEAD ADAPTERS

Description	Dimensions, inches (millimeters)					Notes		Mtg. Hole	Military Number	Amphenol Number	Fig.
	a	b	c	e	Pit.	Ins.					
Sealed, 50 PSI	Jack-Jack	1.40(35.6)	.687(17.45)	.683(17.3)	.187(4.8)	P1	D1	Y	UG-492A/U	<b>31-220H</b> *‡	1 ▲
	Jack-Jack	1.53(38.9)	.688(17.5)	.672(17.0)	.281(7.1)	P4	D1	Y	UG-492D/U	<b>31-3220*</b>	1 ▲
Gasketed	Jack-Jack	1.56(39.6)	.689(17.5)	.681(17.3)	.295(7.5)	P7	D23	Y	—	<b>31-220G-RFX</b>	1 ▲
	Jack-Jack	1.40(35.6)	.800(20.3)	.659(16.7)	.160(4.1)	P1	D1	Y	—	<b>4525*</b>	1 ▲
Non-sealed	Jack-Jack	1.40(35.6)	.800(20.3)	.664(16.9)	.187(4.8)	P1	D1	Y	—	<b>31-220N</b>	1 ▲
		1.28(32.5)	.610(15.5)	.492(12.5)	.216(5.5)	P7	D23	Y	—	<b>31-220N-RFX</b>	1 ▲
Isolated from Panel	Jack-Jack	1.28(32.5)	.625(15.9)	.460(11.7)	.187(4.8)	P1	D12	Y	—	<b>31-4803</b>	2 ▲
		1.28(32.5)	.625(15.9)	.460(11.7)	.187(4.8)	P15	D12	Y	—	<b>31-4803-1101</b>	2 ▲
		1.28(32.5)	.625(15.9)	.460(11.7)	.187(4.8)	P15	D12	Y	—	<b>31-4803-RFX</b>	2 ▲

\* recognized under the component program of U.L, Inc. ▲ distributor stocked ‡ IBM 5252764